



Stand Alone Tong Configuration



11" - 100k Tong with Stand Alone Mounting Kit
P/N: 88.100.T3.45.01
Quantity: _____

Tong with Backup Configuration

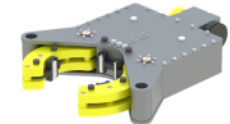


11" - 100k Tong with Compression Backup Mounting Kit; P/N: 88.100.T3.46.02
Quantity: _____

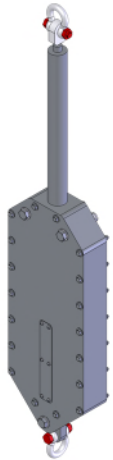
12" - 120k Long Stroke Backup
P/N: 96.120.03.03
Quantity: _____



12" - 120k RT Backup
P/N: 96.120.02.03
Quantity: _____

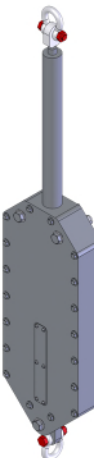


Accessories for Stand Alone Tong



Spring Hanger / Lift Cylinder Combined Assembly
6000# Rating
P/N: SLC6k.11.00.000.00
Quantity: _____

Tension Load Cell
42" Handle, 120k Rated
P/N: 19-207108-532
Quantity: _____



Spring Hanger / Lift Cylinder Combined Assembly
10000# Rating
P/N: SLC10k.11.00.000.00
Quantity: _____

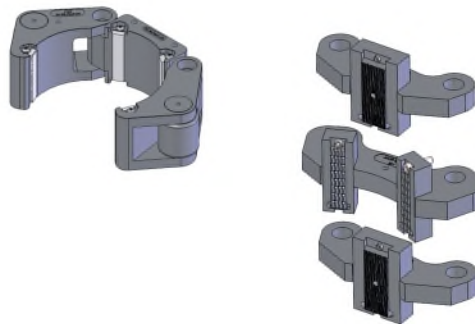
Compression Load Cell
35" Handle, 120k Rated
P/N: 19-207250-116
Quantity: _____



Tong Jaw and Die Carrier Selection

TONG JAW SELECTIONS			
PIPE SIZE	JAW KIT PART NUMBER	AVAILABILITY	QTY. TO ORDER
3-1/2"	20.088RT.028.00 3JAW KIT	☺	
4"	20.088RT.032.00 3JAW KIT	☺	
4-1/2"	20.088RT.036.00 3JAW KIT	☺	
5"	20.088RT.040.00 3JAW KIT	☺	
5-1/2"	20.088RT.044.00 3JAW KIT	☺	
6"	20.088RT.048.00 3JAW KIT	☺	
6-5/8"	20.088RT.053.00 3JAW KIT	☺	
7"	20.088RT.056.00 3JAW KIT	☺	
7-5/8"	20.088RT.061.00 3JAW KIT	☺	
8-5/8"	20.088RT.069.00 3JAW KIT	☺	
9-5/8"	20.088RT.077.00 3JAW KIT	☺	
10-3/4"	20.088RT.086.00 3JAW KIT	☺	

☑ = AVAILABLE ; ☺ = MADE TO ORDER



BACKUP DIE CARRIER SELECTIONS			
PIPE SIZE	DIE CARRIER KIT PART NUMBER	AVAILABILITY	QTY. TO ORDER
3-1/2"	26.096RT.028.00 KIT	☺	
4"	26.096RT.032.00 KIT	☺	
4-1/2"	26.096RT.036.00 KIT	☺	
5"	26.096RT.040.00 KIT	☺	
5-1/2"	26.096RT.044.00 KIT	☺	
6"	26.096RT.048.00 KIT	☺	
6-5/8"	26.096RT.053.00 KIT	☺	
7"	26.096RT.056.00 KIT	☺	
7-5/8"	26.096RT.061.00 KIT	☺	
8-5/8"	26.096RT.069.00 KIT	☺	
9-5/8"	26.096RT.077.00 KIT	☺	
10-3/4"	26.096RT.086.00 KIT	☺	
11-3/4"	26.096RT.094.00 KIT	☺	

☑ = AVAILABLE ; ☺ = MADE TO ORDER

For complete listing of Tong Jaw Availability and Die Carrier Availability refer to "Jaw Reference Manual" available on the Starr Power Tong's Portal.