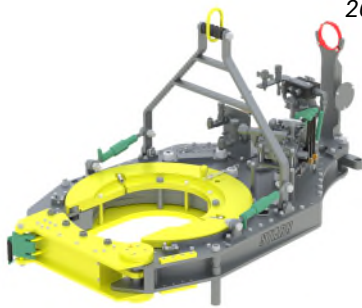




Stand Alone Tong Configuration

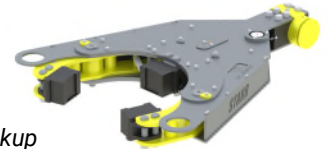


26" - 85k Tong with Stand Alone
Mounting Kit
P/N: 208.85.03.33.01
Quantity: _____

Tong with Backup Configuration

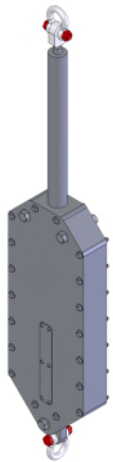


26" - 85k Tong with
Backup Mounting Kit
P/N: 208.85.03.33.02
Quantity: _____



26" - 140k Backup
P/N: 208.140.01.03
Quantity: _____

Accessories for Stand Alone Tong

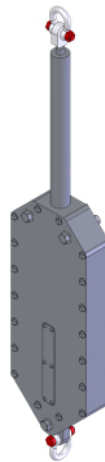


Spring Hanger / Lift Cylinder
Combined Assembly
4000# Rating
P/N: SLC4k.11.00.000.00
Quantity: _____

Tension Load Cell
56" Handle, 90k Rated
P/N: 19-207400-192
Quantity: _____



Accessories for Tong with Backup



Spring Hanger / Lift Cylinder
Combined Assembly
6000# Rating
P/N: SLC6k.11.00.000.00
Quantity: _____

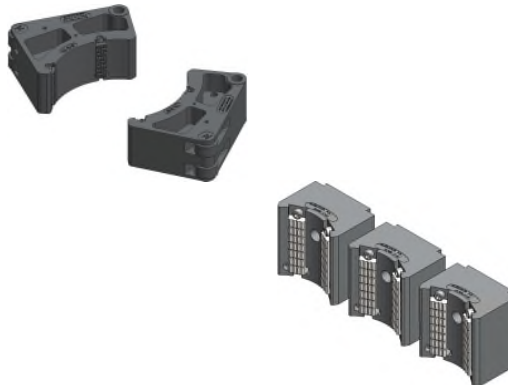
Compression Load Cell
56" Handle, 90k Rated
P/N: 19-207120-183
Quantity: _____



Tong Jaw and Die Carrier Selection

TONG JAW SELECTIONS			
PIPE SIZE	JAW KIT PART NUMBER	AVAILABILITY	QTY. TO ORDER
12-3/4"	20.208.102.00 KIT	☑	
13-3/8"	20.208.107.00 KIT	☑	
13-5/8"	20.208.109.00 KIT	☑	
14"	20.208.112.00 KIT	☑	
16"	20.208.128.00 KIT	☑	
18-5/8"	20.208.149.00 KIT	☑	
20"	20.208.160.00 KIT	☑	
22"	20.208.176.00 KIT	☑	
24"	20.208.192.00 KIT	☑	
26"	20.208.208.00 KIT	☑	

☑ = AVAILABLE ; ☑ = MADE TO ORDER



BACKUP DIE CARRIER SELECTIONS			
PIPE SIZE	DIE CARRIER KIT PART NUMBER	AVAILABILITY	QTY. TO ORDER
12-3/4"	26.117.102.00 KIT	☑	
13-3/8"	26.117.107.00 KIT	☑	
13-5/8"	26.117.109.00 KIT	☑	
14"	26.117.112.00 KIT	☑	
15"	26.117.120.00 KIT	☑	
16"	26.208.128.00 KIT	☑	
18-5/8"	26.208.149.00 KIT	☑	
20"	26.208.160.00 KIT	☑	
21"	26.208.168.00 KIT	☑	
22"	26.208.176.00 KIT	☑	
24"	26.208.176.00 KIT	☑	
26"	26.208.176.00 KIT	☑	

☑ = AVAILABLE ; ☑ = MADE TO ORDER

For complete listing of Tong Jaw Availability and Die Carrier Availability refer to "Jaw Reference Manual" available on the Starr Power Tong's Portal.