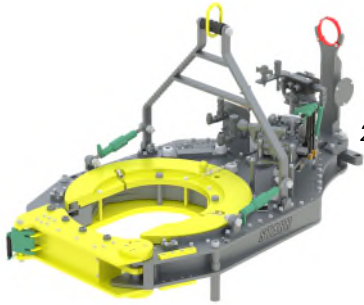




Stand Alone Tong Configuration

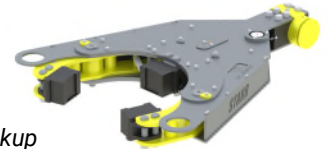


21" - 85k Tong with Stand Alone Mounting Kit
P/N: 168.85.06.33.01
Quantity: _____

Tong with Backup Configuration

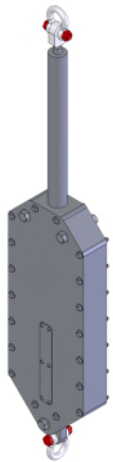


21" - 85k Tong with Backup Mounting Kit
P/N: 168.85.06.33.02
Quantity: _____



22" - 130k Backup
P/N: 176.130.01.03
Quantity: _____

Accessories for Stand Alone Tong

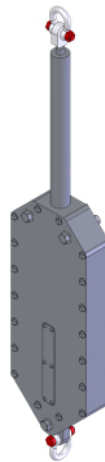


Spring Hanger / Lift Cylinder Combined Assembly
4000# Rating
P/N: SLC4k.11.00.000.00
Quantity: _____

Tension Load Cell
52" Handle, 100k Rated
P/N: 19-207653-119-SPT
Quantity: _____



Accessories for Tong with Backup



Spring Hanger / Lift Cylinder Combined Assembly
6000# Rating
P/N: SLC6k.11.00.000.00
Quantity: _____

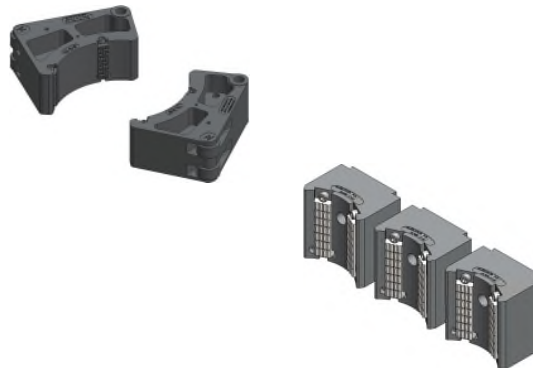
Compression Load Cell
52" Handle, 90k Rated
P/N: 19-207161-120
Quantity: _____



Tong Jaw and Die Carrier Selection

TONG JAW SELECTIONS			
PIPE SIZE	JAW KIT PART NUMBER	AVAILABILITY	QTY. TO ORDER
8-5/8"	20.168.069.02 KIT	☺	
9-5/8"	20.168.077.02 KIT	☺	
10-3/4"	20.168.086.02 KIT	☺	
11-3/4"	20.168.094.02 KIT	☺	
11-7/8"	20.168.095.02 KIT	☺	
12-3/4"	20.168.102.02 KIT	☺	
13-3/8"	20.168.107.02 KIT	☺	
13-5/8"	20.168.109.02 KIT	☺	
14"	20.168.112.00 KIT	☺	
16"	20.168.128.00 KIT	☺	
18-5/8"	20.168.149.00 KIT	☺	
20"	20.168.160.00 KIT	☺	
21"	20.168.168.00 KIT	☺	

☑ = AVAILABLE ; ☺ = MADE TO ORDER



For complete listing of Tong Jaw Availability and Die Carrier Availability refer to "Jaw Reference Manual" available on the Starr Power Tong's Portal.

BACKUP DIE CARRIER SELECTIONS			
PIPE SIZE	DIE CARRIER KIT PART NUMBER	AVAILABILITY	QTY. TO ORDER
8-5/8"	26.117.069.00 KIT	☑	
9-5/8"	26.117.077.00 KIT	☑	
9-7/8"	26.117.079.00 KIT	☑	
10-3/4"	26.117.086.00 KIT	☑	
11-3/4"	26.117.094.00 KIT	☑	
12-3/4"	26.117.102.00 KIT	☑	
13-3/8"	26.117.107.00 KIT	☑	
13-5/8"	26.117.109.00 KIT	☑	
14"	26.117.112.00 KIT	☑	
15"	26.117.120.00 KIT	☑	
16"	26.176.128.00 KIT	☺	
18-5/8"	26.176.149.00 KIT	☺	
20"	26.176.160.00 KIT	☺	
21"	26.176.168.00 KIT	☺	
22"	26.176.176.00 KIT	☺	

☑ = AVAILABLE ; ☺ = MADE TO ORDER